

**PS-1224 Power Supply**

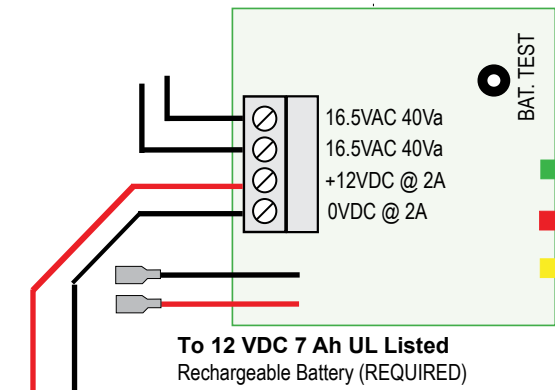
**Power Supply (PS-1224) LEDs**

Press "BAT. TEST" button on PS-1224 for battery test, Yellow LED will go ON if test failed

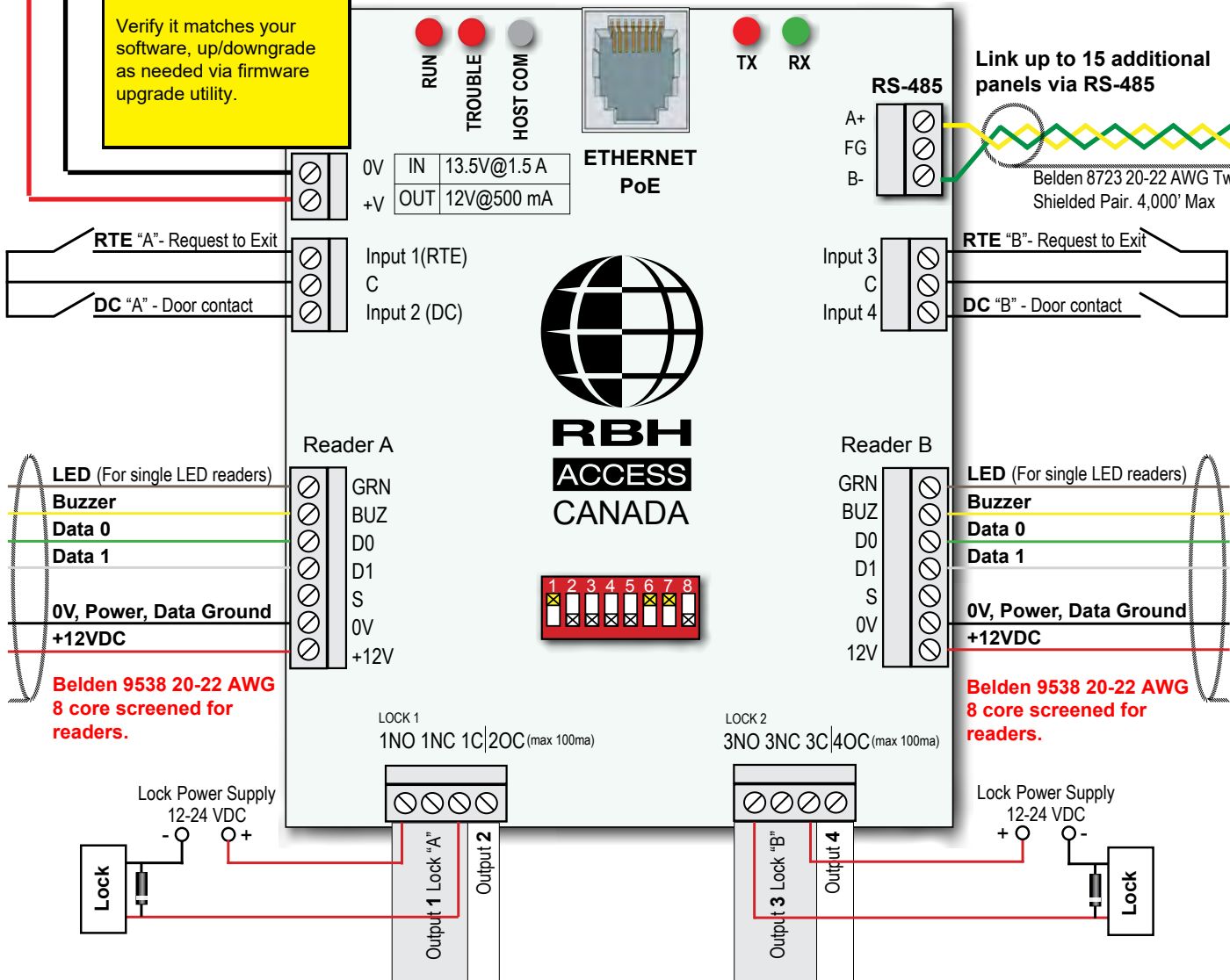
LED	On	Off
Green LED	Power On	Power Off
Red LED	Shorted	OK
Yellow LED	Battery Fail	Battery OK

**Panel LEDs**

Panel LEDs	Run	Trouble	Host Comm	TX	RX
Function	Heartbeat	Trouble	Com to software	RS-485 transmitting	RS-485 receiving
Off	Malfunction	Normal	No com	No com	No com
Solid	Malfunction	Trouble	No Com	Malfunction	Malfunction
Blinking	Normal	Trouble	Red/Green = Normal	Normal	Normal



Firmware, use Axiom Lite software to check firmware version.  
Verify it matches your software, up/downgrade as needed via firmware upgrade utility.



Link up to 15 additional panels via RS-485

Belden 8723 20-22 AWG Twisted, Shielded Pair, 4,000' Max

LED (For single LED readers)

Buzzer  
Data 0  
Data 1

0V, Power, Data Ground  
+12VDC

Belden 9538 20-22 AWG 8 core screened for readers.

**DIP SWITCH SETTINGS : DIP-Switch: UP = ON / DOWN = OFF**

Cycle power for DIP-switch changes to take effect!

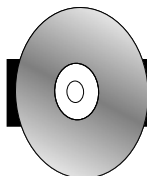
Switch 8: Always OFF!

Switch	1	2	3	4	5	Switch	1	2	3	4	5	Switch	1	2	3	4	5	Switch	6	7		
Panel 1	On					Panel 5	On		On			Panel 9	On			On		Panel 13	On		On	On
Panel 2		On				Panel 6		On	On			Panel 10		On		On		Panel 14		On	On	On
Panel 3	On	On				Panel 7	On	On	On			Panel 11	On	On		On		Panel 15	On	On	On	On
Panel 4			On			Panel 8				On		Panel 12			On	On		Panel 16				On
																			9.6 K			
																			38.4 K	On		
																			57.6K		On	
																			115.2 K	On	On	

For Support Call : 01386 425810

**UNC100**

Universal Network Controller with ENCL1 enclosure and PS-1224 power supply



All software and hardware manuals are included on software DVD in "Documents" folder

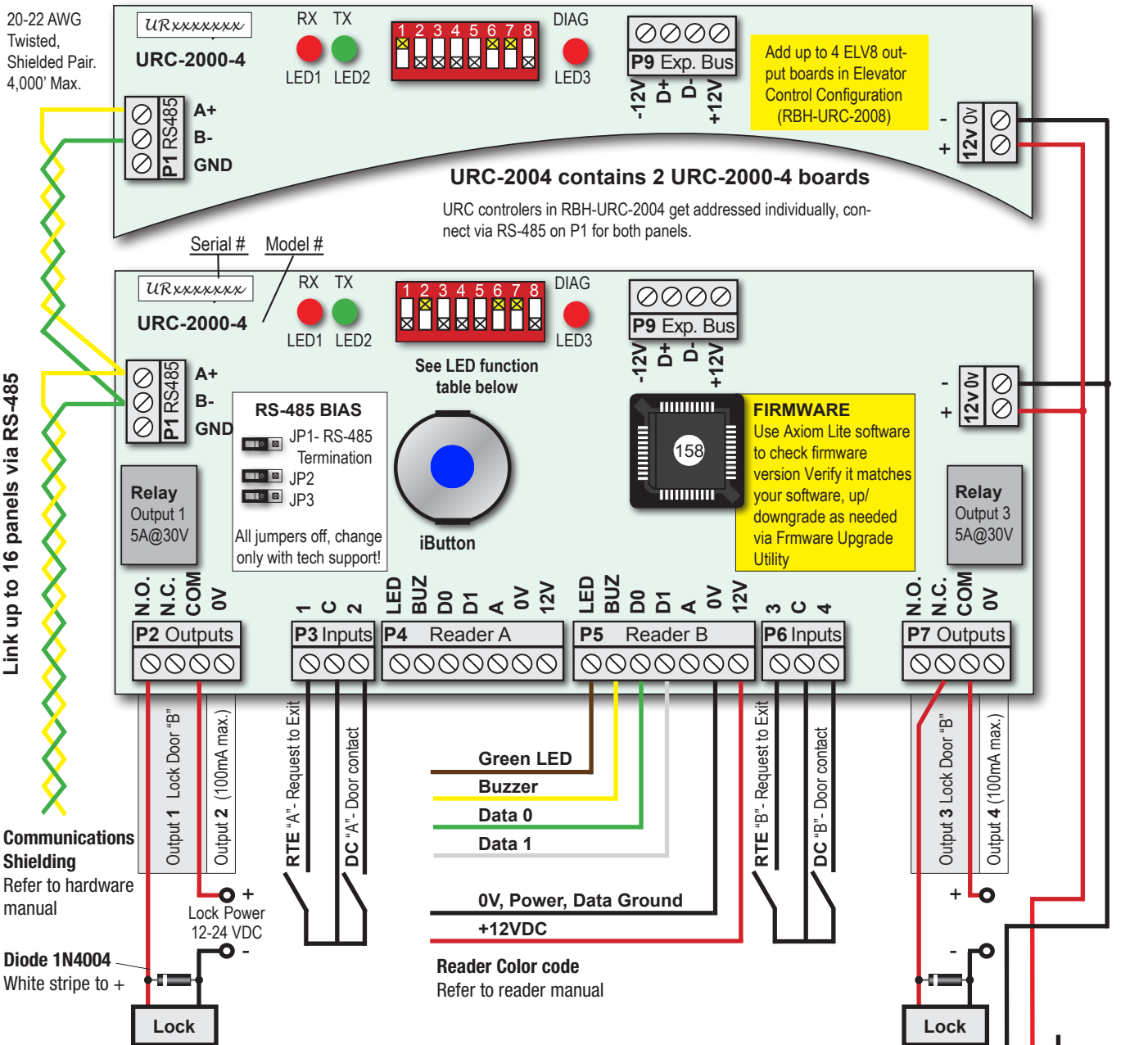


DIP SWITCH SETTINGS : DIP-Switch: UP = ON / DOWN = OFF

Cycle power for DIP-switch changes to take effect!

Switch 8: Always OFF!

Switch	1	2	3	4	5	Switch	1	2	3	4	5	Switch	1	2	3	4	5	Switch	1	2	3	4	5	Switch	6	7
Panel 1	On					Panel 5	On		On			Panel 9	On			On		Panel 13	On		On	On			9.6 K	
Panel 2		On				Panel 6		On	On			Panel 10		On		On		Panel 14		On	On	On			19.2 K	On
Panel 3	On	On				Panel 7	On	On	On			Panel 11	On	On		On		Panel 15	On	On	On	On			38.4 K	On
Panel 4			On			Panel 8				On		Panel 12			On	On		Panel 16					On		56 K	On



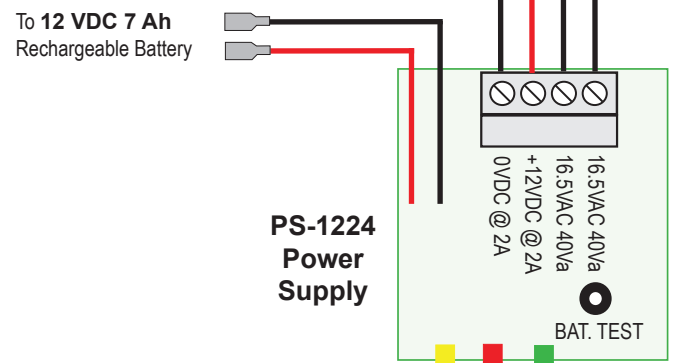
**Panel LEDs**

Panel LEDs	LED1 (Red)	LED2 (Green)	LED3 (Red)
FUNCTION	Receive	Transmit	Host
OFF	Host not polling	Panel not responding	Power is off
ON SOLID	Malfunction	Malfunction	Online
BLINKING	Receiving	Transmitting	Offline

**Power Supply (PS-1224) LEDs**

Press "BAT. TEST" button on PS-1224 for battery test, Yellow LED will go ON if test failed

LED	On	Off
Green LED	Power On	Power Off
Red LED	Shorted	OK
Yellow LED	Battery Fail	Battery OK



For Support Call : 01386 425810  
 All software and hardware manuals are included on Axiom Lite software CD in "Documents" folder  
 Web site : www.rbhsecuritygroup.com E-mail : support.uk@rbh-access.com

URC-2002  
 Universal Reader Controller  
 with ENCL1 enclosure  
 and PS-1224 power supply

